

HL715.0

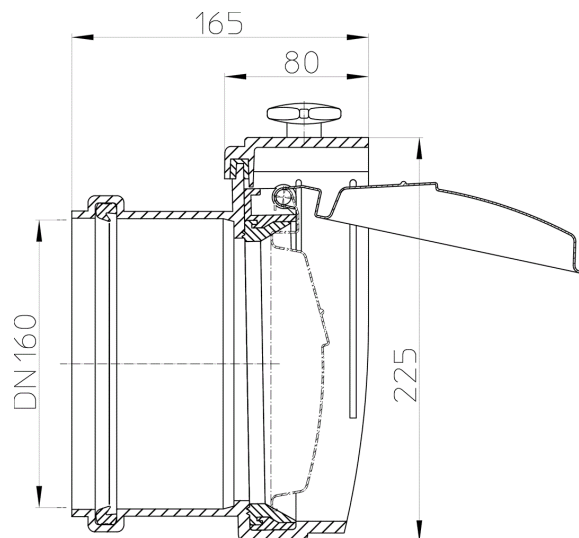
anti-flood valve DN160 with stainless steel flap and socket for plastic pipes



anti-flood valve DN160 with automatic stainless steel flap and socket for plastic pipes.
ATTENTION! New model - identifiable by socket molded to the body. Models with screwed sockets have other spare parts - please contact HL!





techn. drawing



MAIN DATA

spare parts

-  **HL01090D**
lip seal DN160
-  **HL0710.33E**
casing cover NEW



HL0710.35E
flap cartridge NEW



HL01080D
flap seal NEW



HL0710.8E
butterfly nuts (4 Stk.)

TECHNICAL DATA

material	ABS	installation height	218 mm
dimension	DN160	grate frame	
capacity		grate	
weight	1,43	load class	
EAN	9003076971503	inlet	
		standards	

PACKAGING DATA

PE-bag

unit	1 [pcs.]
weight	1,445 [kg]
EAN/pack.	9003076971503
height/width/depth	0/0/0 [mm]
volume	0 [m ³]