

HL510NPrR

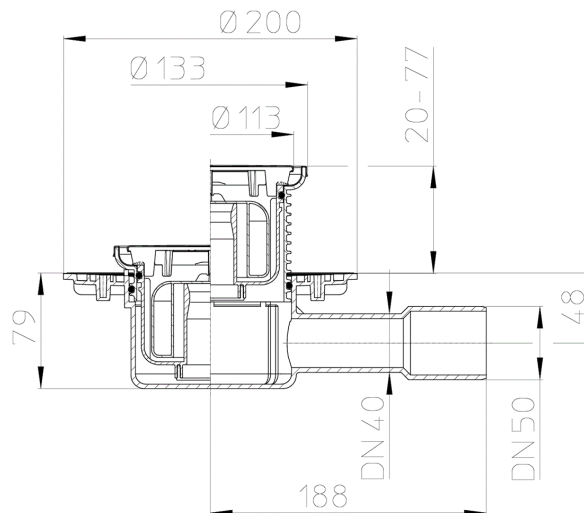
floor drain DN40/50 horizontal with trap seal PRIMUS, round d 133mm/d 112mm



floor drain DN40/50 horizontal with flange, trap seal PRIMUS, cut-to-size plastic extension 20 - 78 mm with stainless steel frame round d 133 mm and stainless steel plate d 112 mm. Comes with lot cover.



techn. drawing



MAIN DATA

spare parts



HL38NPr

grating round d 110mm/stainless steel frame d 131mm/d 112mm with trap seal PRIMUS



HL038N.3E

stainless steel plate round d 112mm

**HL038N.4E**

grate frame round d 110mm/93mm/stainless steel frame d 133mm incl. O-ring

**HL01067D**

O-ring 92x4mm

**HL2000**

trap seal PRIMUS

**HL01067D**

O-ring 92x4mm

**HL510NK**

floor drain body DN40/50 horizontal

attachment**HL0510.7E**

trap seal cartridge

**HL619**

fixing brackets

**HL6200**

Sound protection pad 500x500mm

Alternatives**HL510NR**

floor drain DN40/50 horizontal round d 133mm/d 112mm

Extensions**HL340N**

extension 80mm/d 110mm incl. O-ring

**HL85N**

extension with flange incl. O-ring

**HL85NC**

extension d 110mm CeraDrain with polymer concrete collar incl. O-ring

**HL85NH**

extension incl. O-ring with bitumen membrane

Waterproofing Kits**HL83**

waterproofing kit with EPDM collar d 400mm

**HL83.0**

waterproofing kit

**HL83.H**

waterproofing kit with bitumen membrane d 400mm

**HL83.M**

Sealing kit with laminated fleece

**HL83.P**

waterproofing kit with flange PVC d 287mm

TECHNICAL DATA

material	PE	installation height	93 mm
dimension	DN40/50	grate frame	20-78 mm/d 133 mm

capacity	0,50 l/s	grate	Edelstahl rund d 112 mm
weight	0,654	load class	K - 300 kg
EAN	9003076006113	inlet	
		standards	

PACKAGING DATA

PE-bag

unit	1 [pcs.]
weight	0,656 [kg]
EAN/pack.	9003076006113
height/width/depth	0/0/0 [mm]
volume	0 [m ³]

carton

unit	1 [pcs.]
weight	0,84 [kg]
EAN/pack.	9003076006113
height/width/depth	155/225/295 [mm]
volume	0,010288125 [m ³]