

## HL510N-3120

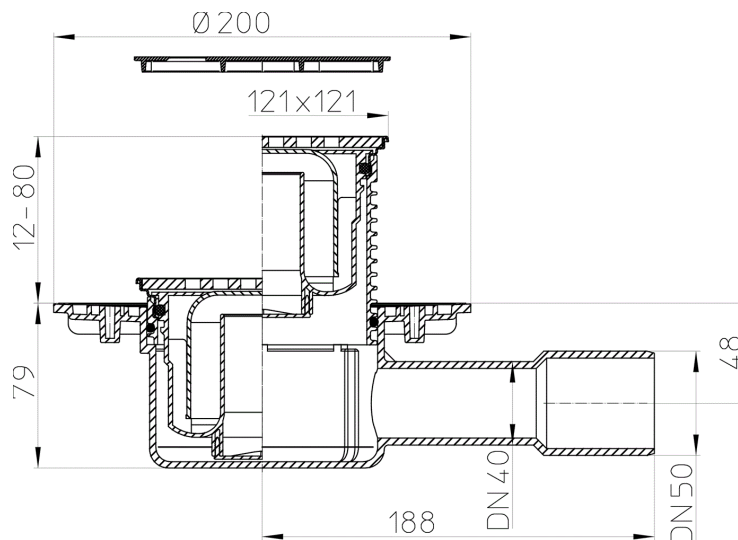
floor drain DN40/50 horizontal, 121x121mm KLICK-KLACK/115x115mm "Quadra"



floor drain DN40/50 horizontal with flange, trap seal, cut-to-size grate frame 12 - 80 mm / stainless steel frame KLICK-KLACK 121 x 121 mm, stainless steel grate 115 x 115 mm "Quadra" and supporting frame / cover. Comes with lot cover. System "KLICK-KLACK" - the new arresting system for grates. Loose or lost grates belong to the past. Simply insert the grate into the frame and "click" it in - ready!





### techn. drawing



### MAIN DATA

#### spare parts

 **HL0510.7EKK**  
trap seal cartridge

 **HL01086D**  
O-ring 88x5mm



**HL3120**  
stainless steel grate (316) 115x115mm "Quadra"



**HL3200**  
grate frame d 110/100mm/stainless steel frame (316) 121x121mm. System "KLICK-KLACK". Comes with supporting frame/cover.



**HL01067D**  
O-ring 92x4mm



**HL037N.OE**  
supporting frame/cover 123x123mm



**HL510NK**  
floor drain body DN40/50 horizontal

#### attachment



**HL2000KK**  
trap seal PRIMUS



**HL619**  
fixing brackets



**HL6200**  
Sound protection pad 500x500mm

#### Extensions



**HL340N**  
extension 80mm/d 110mm incl. O-ring



**HL85N**  
extension with flange incl. O-ring



**HL85NC**  
extension d 110mm CeraDrain with polymer concrete collar incl. O-ring



**HL85NH**  
extension incl. O-ring with bitumen membrane

#### Waterproofing Kits



**HL83**  
waterproofing kit with EPDM collar d 400mm



**HL83.0**  
waterproofing kit



**HL83.H**  
waterproofing kit with bitumen membrane d 400mm



**HL83.M**  
Sealing kit with laminated fleece



**HL83.P**  
waterproofing kit with flange PVC d 287mm

#### TECHNICAL DATA

<b>material</b>	PE	<b>installation height</b>	93 mm
<b>dimension</b>	DN40/50	<b>grate frame</b>	12-80 mm/121 x 121 mm V2A
<b>capacity</b>	< 0,5 l/s	<b>grate</b>	Edelstahl 115 x 115 mm V4A
<b>weight</b>	1	<b>load class</b>	L - 1,5 t

**EAN**

9003076016709

**inlet**

**standards**

**PACKAGING DATA**

**PE-bag**

**unit** 1 [pcs.]  
**weight** 1,002 [kg]  
**EAN/pack.** 9003076016709  
**height/width/depth** 0/0/0 [mm]  
**volume** 0 [m<sup>3</sup>]

**carton**

**unit** 1 [pcs.]  
**weight** 1,19 [kg]  
**EAN/pack.** 9003076016709  
**height/width/depth** 155/225/295 [mm]  
**volume** 0,010288125 [m<sup>3</sup>]