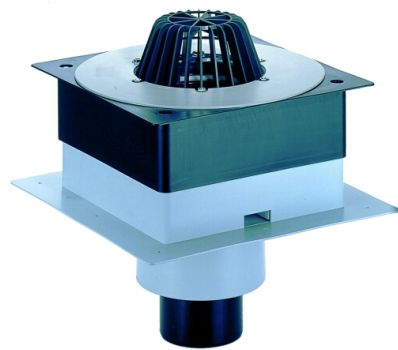


HL63P/1

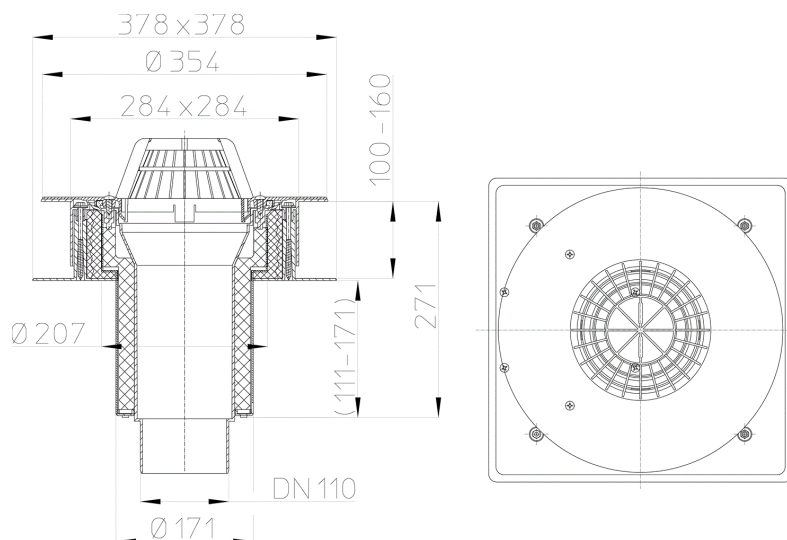
flat-roof drain DrainBox DN110 with PVC collar



flat-roof drain DrainBox DN110 vertical with insulated drain body, telescoped outer-housing for precise adjustment to insulations from 100 - 160 mm, PVC collar for perfect direct welding of PVC single ply material and domed plastic grate d 180 mm. Comes with lot cover.



techn. drawing



MAIN DATA

spare parts



HL062.1E
domed plastic grate

attachment



HL170
flat grate d 150mm

HL63P/1

en 2016.07.27 00:11

1/3



HL175
domed grate stainless steel



HL635
drainage grating 362x362mm/240x240mm aluminium



HL66
grating d 145mm sleek/(316) stainless steel frame 150x150mm/138x138mm (316) secured



HL01058D
tailback gasket for stainless steel flange 220x155mm



HL062B.3E
adapter



HL160
gravel guard d 150mm



HL66.1
grating d 145mm sleek/(316) stainless steel frame 150x150mm/138x138mm (316) secured and slip-resistant



HL01058D
tailback gasket for stainless steel flange 220x155mm



HL062B.3E
adapter



HL160
gravel guard d 150mm



HL66.9
grating d 145mm fluted/148x148mm/138x138mm



HL062B.3E
adapter



HL160
gravel guard d 150mm



HL67
grating round d 145mm sleek/(316) stainless steel frame d 155mm/d 145mm



HL01058D
tailback gasket for stainless steel flange 220x155mm



HL062B.3E
adapter



HL160
gravel guard d 150mm

Alternatives



HL63.1P/1
flat-roof drain DrainBox DN110 with PVC collar, heated (10-30W/230V)



HL63/1
flat-roof drain DrainBox DN110 with clamping ring

TECHNICAL DATA

material PP/PVC **installation height** 266-326 mm

HL63P/1

en 2016.07.27 00:11

2/3

dimension	DN110	grate frame	
capacity	5,82 l/s	grate	Laubfangkorb d 145mm
weight	2,8	load class	
EAN	9003076816347	inlet	
		standards	

PACKAGING DATA

carton

unit	1 [pcs.]
weight	3,8 [kg]
EAN/pack.	9003076816347
height/width/depth	385/385/385 [mm]
volume	0,057066625 [m ³]

single use pallet

unit	30 [pcs.]
weight	124 [kg]
EAN/pack.	
height/width/depth	2100/800/1200 [mm]
volume	2,016 [m ³]