

HL63.1H/7

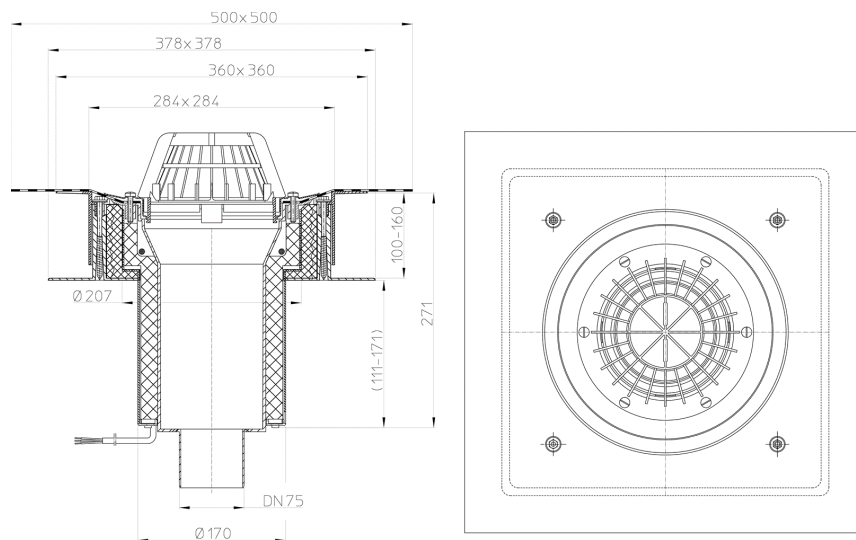
flat-roof drain DrainBox DN75 with bitumen membrane, heated (10-30W/230V)



flat-roof drain DrainBox DN75 vertical with insulated drain body, telescoped outer-housing for precise adjustment to insulations from 100 - 160 mm, bitumen membrane d 500 mm for perfect and easy lap-joint waterproofing with bituminous membranes, self-regulating heating element 10 - 30 W / 230 V) and domed plastic grate d 180 mm. Comes with lot cover.



techn. drawing



MAIN DATA

spare parts



HL062.1E
domed plastic grate



HL170
flat grate d 150mm

attachment

HL63.1H/7

en 2016.07.14 01:10

1/3



HL170
flat grate d 150mm



HL175
domed grate stainless steel



HL635
drainage grating 362x362mm/240x240mm aluminium



HL66
grating d 145mm sleek/(316) stainless steel frame 150x150mm/138x138mm (316) secured



HL01058D
tailback gasket for stainless steel flange 220x155mm



HL062B.3E
adapter



HL160
gravel guard d 150mm



HL66.1
grating d 145mm sleek/(316) stainless steel frame 150x150mm/138x138mm (316) secured and slip-resistant



HL01058D
tailback gasket for stainless steel flange 220x155mm



HL062B.3E
adapter



HL160
gravel guard d 150mm



HL66.9
grating d 145mm fluted/148x148mm/138x138mm



HL062B.3E
adapter



HL160
gravel guard d 150mm



HL67
grating round d 145mm sleek/(316) stainless steel frame d 155mm/d 145mm



HL01058D
tailback gasket for stainless steel flange 220x155mm



HL062B.3E
adapter



HL160
gravel guard d 150mm

TECHNICAL DATA

material	PP	installation height	266-326 mm
dimension	DN75	grate frame	
capacity	8,6 l/sec	grate	Laubfangkorb d 145mm

weight	3,69	load class
EAN	9003076806331	inlet
		standards

PACKAGING DATA

carton

unit	1 [pcs.]
weight	4,7 [kg]
EAN/pack.	9003076806331
height/width/depth	385/385/385 [mm]
volume	0,057066625 [m ³]

single use pallet

unit	20 [pcs.]
weight	106 [kg]
EAN/pack.	
height/width/depth	2100/800/1200 [mm]
volume	2,016 [m ³]